

CHANGE OF STANDARD PRODUCT

Upgrade of Jets™ 50 to Jets™ 50M

The standard version of our floor mounted toilet is the 50M.

Whenever a 50 model toilet needs replacement we highly recommend you to exchange it with a 50M model.

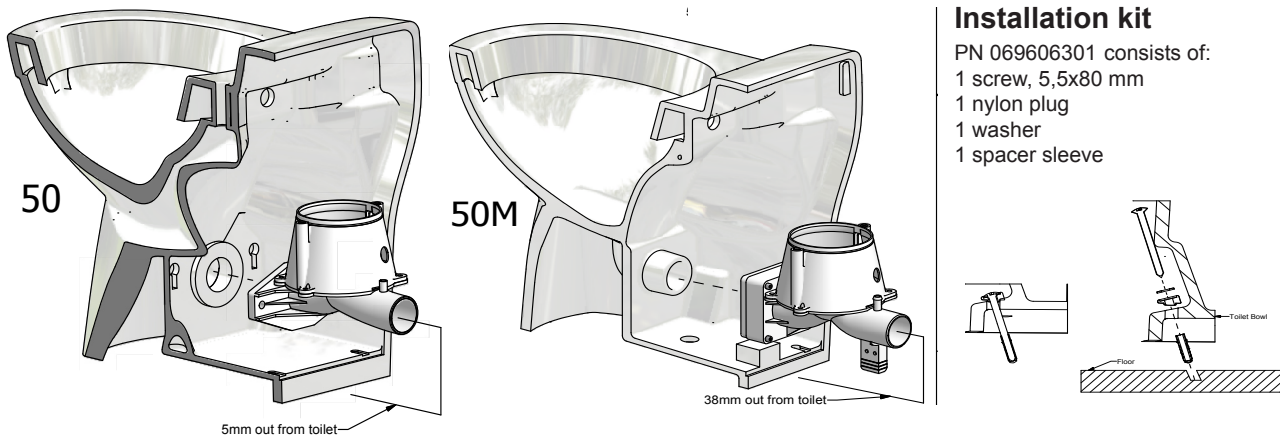
The difference between the old 50 model and the new 50M model is mainly the way the FD/VPC-V mechanism is connected to the bowl. (See below drawing.)

The old model had a flange connection and had to be fixed with two bolts and wing nuts.

The new M version of the toilet bowl has an integrated muff and the mechanism is connected by simply pushing it home on the muff.

Drawing

These are the differences between the two models. Please note the differences in the measures.



Installation kit

PN 069606301 consists of:

- 1 screw, 5,5x80 mm
- 1 nylon plug
- 1 washer
- 1 spacer sleeve

Advantages of the 50M model

- Quick and easy installation and removal of the FD/VPC-V mechanism
- No risk of cracking the porcelain bowl by over tightening of bolts
- No risk for water leakage between bowl and mechanism

Our offer

For an upgrade to the new 50M bowl you will receive the corresponding number of lower housing kits PN 054110021 free of charge.

When the lower housing has been replaced, the FD/VPC-V mechanism for the 50 toilet bowl can be used for the new 50M model.

The upgrade from a 50 to a 50M toilet model also requires a new installation kit as the bowls have different fixing on to the deck. This kit will also be delivered free of charge together with each upgraded toilet bowl. The PN for the kit is 069606301 (see above drawing).

Please note that the old 50 porcelain bowl is available as a spare part - **but for a limited period of time only.**

For more information about the Jets™ 50M

- Data sheet 6135 for the 50M model is available in English, German, Italian, Portuguese, Russian, Spanish and Vietnamese.
- Drawing "Part & Pipe connection" STD-101530-063

Your local Jets contact person can provide these documents upon request.

ISSUE DATE: 29/12/2009